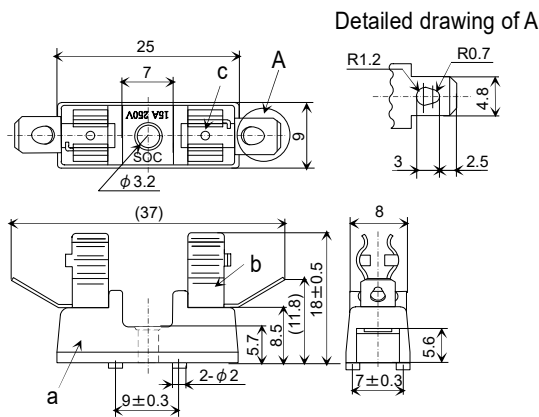




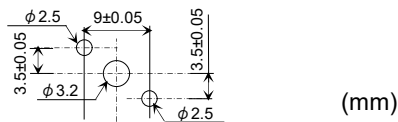
RoHS ~~Pb~~

**Dimensions:**



Dimensional tolerances where not noted	
Dimensional range (mm)	Tolerance ( $\pm$ mm)
$L \leq 3$	0.35
$3 < L \leq 6$	0.45
$6 < L \leq 18$	0.55
$18 < L \leq 30$	0.7
$30 < L \leq 50$	0.9
$50 < L \leq 80$	1.0
$80 < L \leq 120$	1.2

Mounting holes:



**Construction:**

	Component	Qty	Materials	Finish/Remarks
a	Base	1	Phenolic resin (Black)	UL94V-0
b	Fuse clip	2	C5191R-H, 0.5 mm thick	Nickel plated
c	Rivet	2	Al	—

Marking: Stamped on the surface of the base: 15A 250V SOC  
 Marked on the surface of the packing box: SOC BM-SS-I-14

**Characteristics:**

Fuse size:	$\phi$ 5.2×20 mm
Certification:	UL 512 Recognized, File No. E63279
Rated voltage:	AC 250 V
Rated current:	AC 15 A
Insertion/Withdrawal force:	10 N–40 N measured using a steel dummy fuse of $\phi$ 5.2×20 mm.
Contact resistance:	3 m $\Omega$ or less when measured by a fall-of-potential method at 100 mA/DC 60 V or by a low ohmmeter, using a copper dummy fuse of $\phi$ 5.2×20 mm.
Insulation resistance:	100 M $\Omega$ or more when DC 500 V is applied for 1 min between the two fuse clip terminals, and between one of the fuse clip terminals and the metal base panel, respectively.
Withstand voltage:	No dielectric breakdown is produced when AC 1,500 V is applied for 1 min between the two fuse clip terminals, and between one of the fuse clip terminals and the metal base panel, respectively.
Temperature rise:	65 K or less on the side surface of the fuse clip when AC 15 A is applied until temperature stabilization occurs, using one-meter long No. 14 AWG wires on each side of the fuseholder in which a copper dummy fuse of $\phi$ 5.2×20 mm.
Strength of base:	700 mN·m or less when measured by tightening an M3 screw using a torque wrench.

**Usage conditions:**

- \* Ambient temperature:  $-40\text{ }^{\circ}\text{C}$ – $+85\text{ }^{\circ}\text{C}$
- \* Ambient humidity: 85% RH or less

**Storage conditions and storage period:**

Products packaged as delivered can be stored for one year from our shipment under the following conditions.

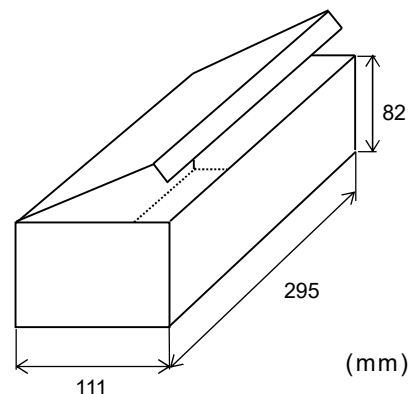
- \* Ambient temperature:  $-30\text{ }^{\circ}\text{C}$ – $+40\text{ }^{\circ}\text{C}$  (no condensation)
- \* Ambient humidity: 85% RH or less
- \* Ambient atmosphere: Not exposed to corrosive gas or sea breeze  
No visible dust  
Not exposed to direct sunlight
- \* Load: No application of load that may cause deformation or degradation of the product.

**Environmental information:**

This product conforms to the EU RoHS Directive 2011/65/EU. The six hazardous substances (lead, mercury, cadmium, hexavalent chromium, polybrominated biphenyls [PBB], and polybrominated diphenyl ethers [PBDE]) specified in the EU RoHS Directive are not used intentionally in this product. However, when lead is used in applications exempted from the requirements of the Directive, this will be indicated in the Dimensions and Construction section of the corresponding product specification.

**Packaging:**

1. 400 fuseholders shall be packed into a cardboard case shown in the figure below.  
If the number of fuseholders to be packed in is more or less than the fixed number, a cardboard case of the most suitable size shall be used depending on the number of fuseholders to be packed in.
2. Packing label shall be attached to the outside of the cardboard case.
  - \* Your part number (by request)
  - \* Product name
  - \* Manufacturer
  - \* Quantity
  - \* Production facilities
  - \* Certification mark
  - \* Country of Origin
  - \* Lot number

**Lot number:**

The lot number indicates the following:

Example: 16012371      160123: Date manufactured  
71: Process code

Ordering specifications:

SOC product name: BM-SS-I-14

Contact information:

SOC is a global ISO-9001 and TS16949 registered company headquartered in Japan with subsidiaries in Asia, Europe, and North America.

SOC Corporation

Marketing Division:

3-16-17, Takanawa, Minato-ku, Tokyo 108-0074, Japan  
TEL +81-3-5420-1011 FAX +81-3-5420-6699  
<http://www.socfuse.com/contact/index.html>

SOC America Inc.:

3505 Veterans Memorial Highway, Suite K-1, Ronkonkoma, NY 11779, USA  
TEL +1-631-472-6666 FAX +1-631-472-6777  
<http://www.socamericainc.com>  
[info@socamericainc.com](mailto:info@socamericainc.com)

SOC Asia Pte. Ltd.:

15 Jalan Kilang Barat, #06-02 Frontech Centre, Singapore 159357  
TEL +65-6376-4115 FAX +65-6376-4117  
[socjp@pacific.net.sg](mailto:socjp@pacific.net.sg)

SOC Europe B.V.:

Databankweg 1, 3821 AL Amersfoort, The Netherlands  
TEL +31-33-450-4000 FAX +31-33-450-4009  
<http://www.soceurope.nl>  
[info@soceurope.nl](mailto:info@soceurope.nl)