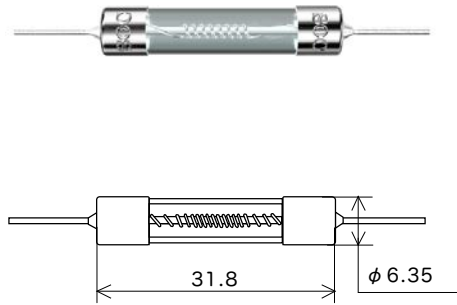
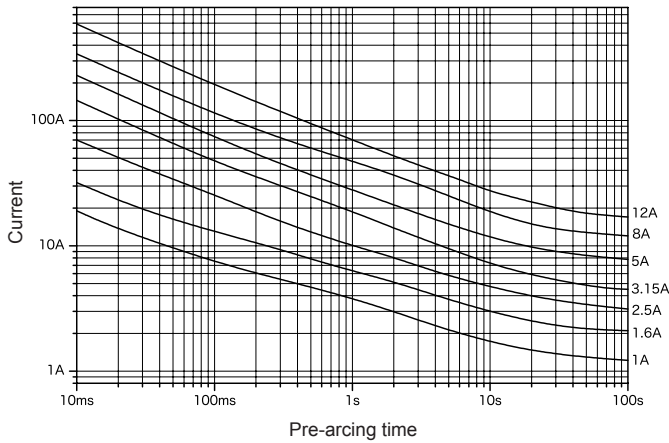


Representative pre-arcing time-current characteristics



Lead wire diameter ϕ 0.8 (100 mA–8 A) Scale: 1/1
 ϕ 1.0 (Over 8 A–18 A) (mm)

Rated voltage	Certification	Rated current (I _N) *1	Rated breaking current	Temp. rise	Current carrying capacity	Overload operation		
AC 250 V		100 mA–3 A	10000 A	PF 0.7–0.8	70 K or less at 1.1 I _N	1.1 I _N for 15 min or more after temperature stabilization occurs	Within 60 min at 1.35 I _N 5 s–2 min at 2.0 I _N	
			100 A					
		Over 3 A–8 A	200 A				100 K or less at 1.1 I _N	Within 60 min at 1.35 I _N 12 s–2 min at 2.0 I _N
		Over 8 A–18 A	500 A					

*1: Customer-requested rated current values can be supplied from within the given range.

*2: This product uses high melting temperature type solder containing 85% by weight or more lead. This type of solder is exempted from the RoHS Directive.