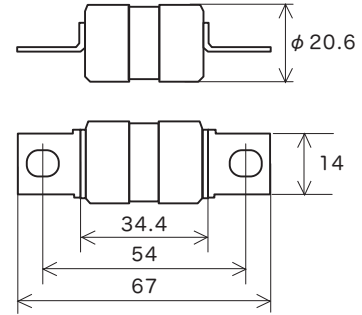
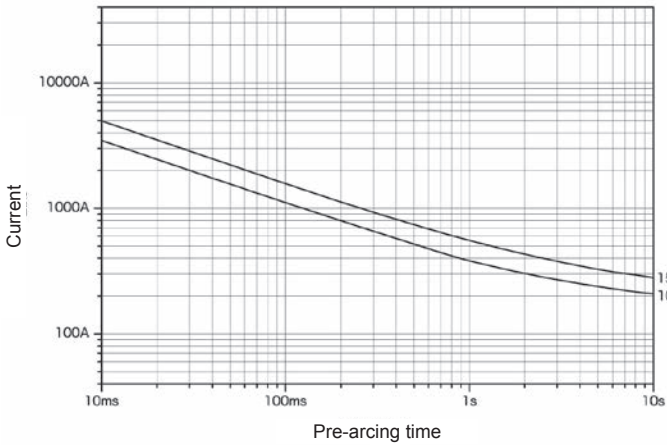


DC500VBT2035

RoHS-compliant

Pb free

Representative pre-arcing time-current characteristics



Scale: 1/2 (mm)

Rated voltage	Certification	Rated current (I _N) *1	Rated breaking current		Temp. rise	Current carrying capacity	Overload operation
DC 500 V	-	60 A, 70 A 100 A, 125 A 150 A	2000 A	Resistive circuit	35 K or less at 0.5 I _N	1.0 I _N until temperature stabilization occurs	Within 1 s at 5.0 I _N

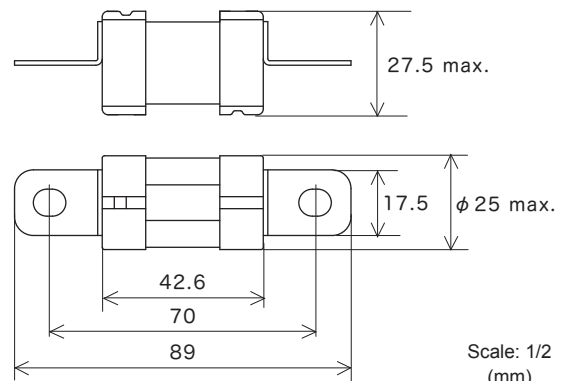
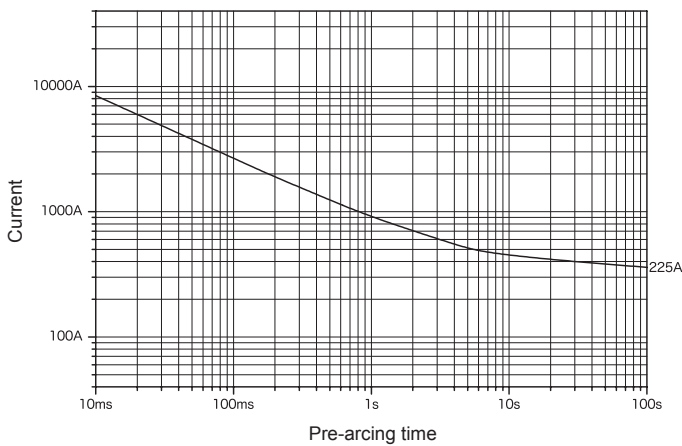
*1: Please contact your local SOC sales representative for rated currents which are not listed.

DC500VBT2543

RoHS-compliant

Pb free

Representative pre-arcing time-current characteristics



Scale: 1/2 (mm)

Rated voltage	Certification	Rated current (I _N) *1	Rated breaking current		Min. breaking current	Temp. rise	Overload operation
DC 500 V	-	225 A	2000 A	Resistive circuit	5.0 I _N	50 K or less at 0.5 I _N	0.05 s–1 s at 5.0 I _N

*1: Please contact your local SOC sales representative for rated currents which are not listed.