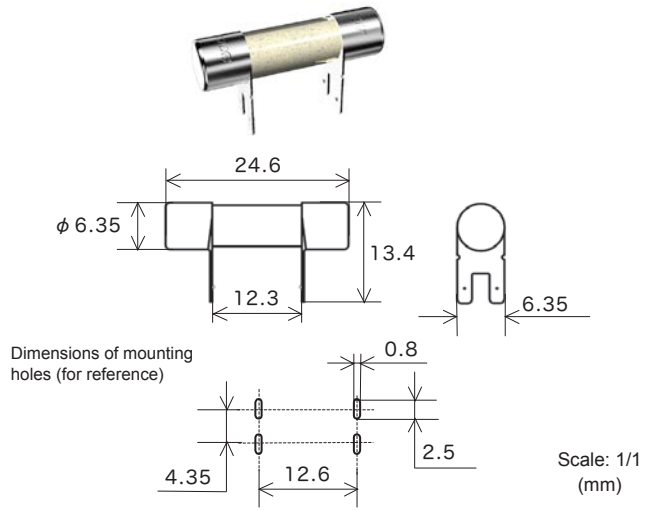
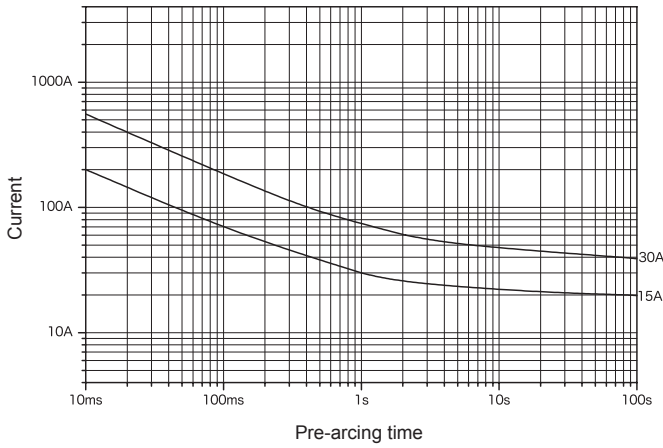


Representative pre-arcing time-current characteristics

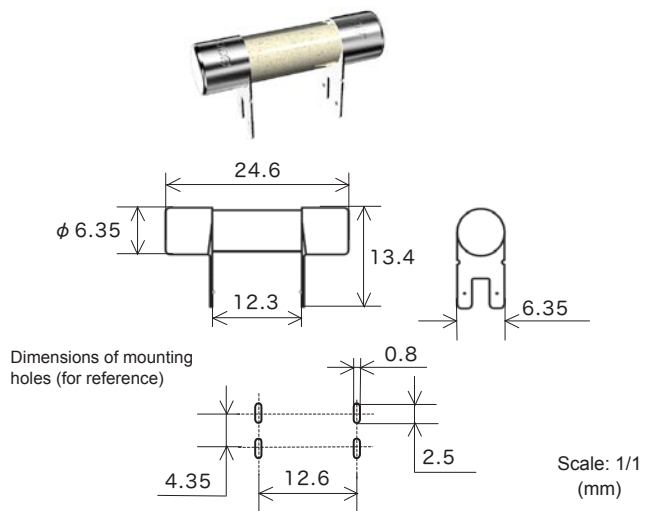
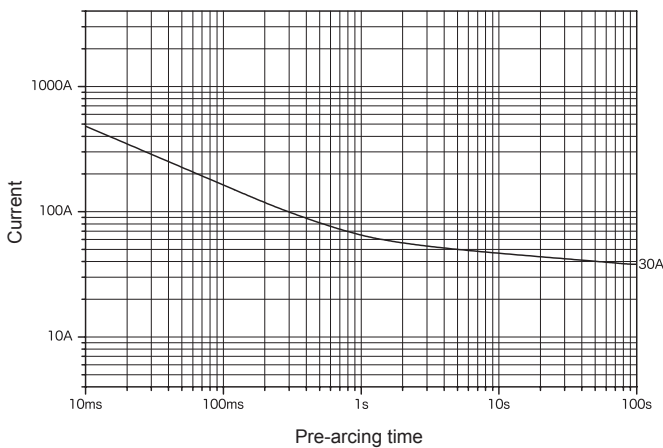


| Rated voltage | Certification | Rated current (I _N) *1 | Rated breaking current | | Min. breaking current | Temp. rise | Current carrying capacity | Overload operation |
|---------------|---------------|---|------------------------|-------------------|-----------------------|------------------------------------|---|------------------------------------|
| DC 500 V | - | 5 A, 10 A, 15 A 20 A, 25 A 30 A, 35 A | 1000 A | Resistive circuit | 2.0 I _N | 75 K or less at 0.5 I _N | 1.0 I _N until temperature stabilization occurs | Within 2 min at 2.0 I _N |

*1: Please contact your local SOC sales representative for rated currents which are not listed.

*2: This product uses high melting temperature type solder containing 85% by weight or more lead. This type of solder is exempted from the RoHS Directive.

Representative pre-arcing time-current characteristics



| Rated voltage | Certification | Rated current (I _N) *1 | Rated breaking current | | Min. breaking current | Temp. rise | Current carrying capacity | Overload operation |
|---------------|---------------|------------------------------------|------------------------|-------------------|-----------------------|------------------------------------|---|----------------------------------|
| DC 600 V | - | 30 A | 1000 A | Resistive circuit | 5.0 I _N | 75 K or less at 0.5 I _N | 1.0 I _N until temperature stabilization occurs | Within 1 s at 5.0 I _N |

*1: Please contact your local SOC sales representative for rated currents which are not listed.

*2: This product uses high melting temperature type solder containing 85% by weight or more lead. This type of solder is exempted from the RoHS Directive.