

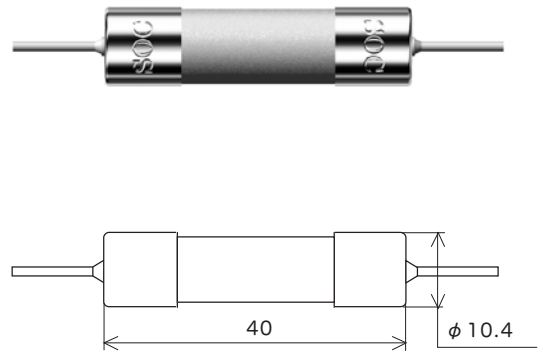
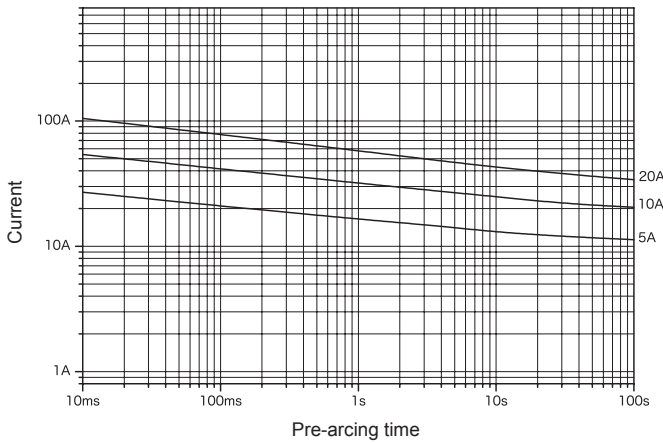
SHV5

Quick-acting

RoHS-compliant

Pb free

Representative pre-arcing time-current characteristics



Lead wire diameter ϕ 1.2 Scale: 1/1 (mm)

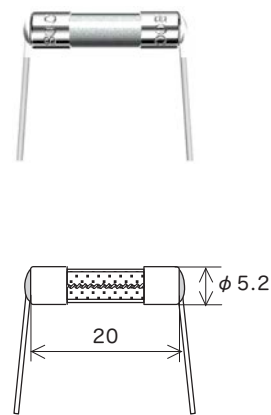
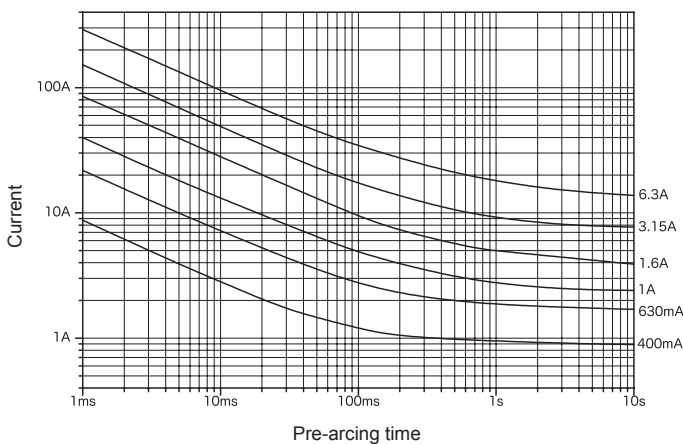
| Rated voltage | Certification | Rated current (I_N) | Rated breaking current | Temp. rise | Current carrying capacity | Overload operation |
|---------------|---------------|-----------------------------|------------------------|----------------------------|---------------------------|---|
| AC 600 V | | 5 A 10 A 15 A 20 A | 10000 A PF 0.7-0.8 | 100 K or less at 1.0 I_N | 4 h or more at 1.0 I_N | Within 60 s at 2.6 I_N Within 1 s at 3.6 I_N |

SHV11

Inrush-withstand

RoHS-compliant*2

Representative pre-arcing time-current characteristics



Lead wire diameter ϕ 0.8 Scale: 1/1 (mm)

| Rated voltage | Certification | Rated current (I_N) *1 | Rated breaking current | Temp. rise | Current carrying capacity | Overload operation |
|---------------|---------------|-------------------------------|------------------------|---------------------------|--|----------------------------|
| AC 400 V | | 100 mA-6.3 A | 500 A | 75 K or less at 1.0 I_N | 1.0 I_N until temperature stabilization occurs | Within 30 min at 2.1 I_N |
| DC 400 V | | | 200 A | | | |
| | - *3 | 100 mA-2.5 A | 1500 A | | | |

*1: Customer-requested rated current values can be supplied from within the given range.
 *2: This product uses high melting temperature type solder containing 85% by weight or more lead. This type of solder is exempted from the RoHS Directive.
 *3: This specification is based on SOC internal testing.