

Fuse clips

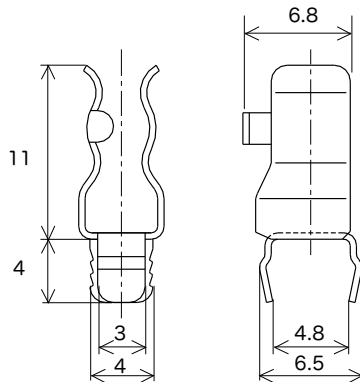
RoHS-compliant

Pb free

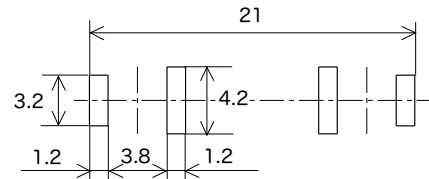
Unit: mm

H-0016-2

Fuse size: ϕ 5.2 mm
 Rating: AC / DC 10 A
 Thickness: 0.4 mm
 Material: C5191
 phosphor bronze
 Surface treatment: Tin plated

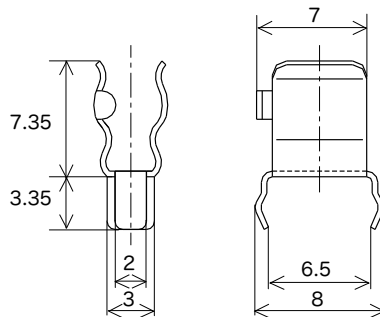


Referential dimensions of mounting holes

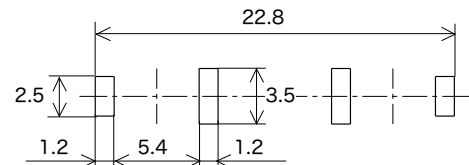


H-0032-2

Fuse size: ϕ 5.2 mm
 Rating: AC / DC 10 A
 Thickness: 0.35 mm
 Material: C5191
 phosphor bronze
 Surface treatment: Tin plated

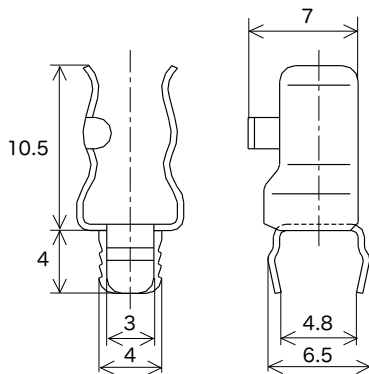


Referential dimensions of mounting holes

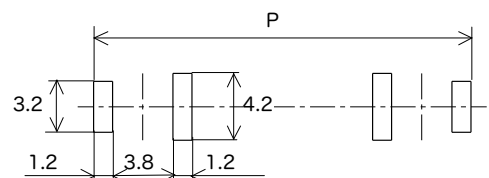


H-0014-2

Fuse size: ϕ 6.35 mm
 Rating: AC / DC 15 A
 Thickness: 0.4 mm
 Material: C5191
 phosphor bronze
 Surface treatment: Tin plated



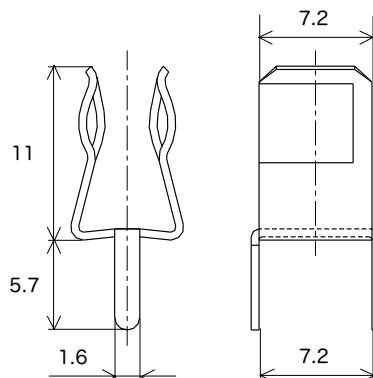
Referential dimensions of mounting holes



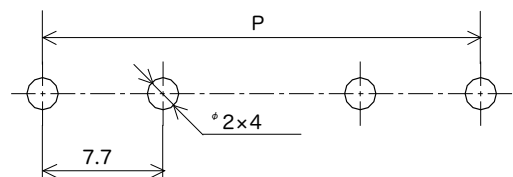
P=31 for ϕ 6.35 \times L30 mm fuses
 P=33 for ϕ 6.35 \times L31.8 mm fuses

H-0017-2

Fuse size: ϕ 6.35 mm
 Rating: AC / DC 15 A
 Thickness: 0.5 mm
 Material: C5191
 phosphor bronze
 Surface treatment: Tin plated



Referential dimensions of mounting holes



P=34.7 for ϕ 6.35 \times L30 mm fuses
 P=36.7 for ϕ 6.35 \times L31.8 mm fuses