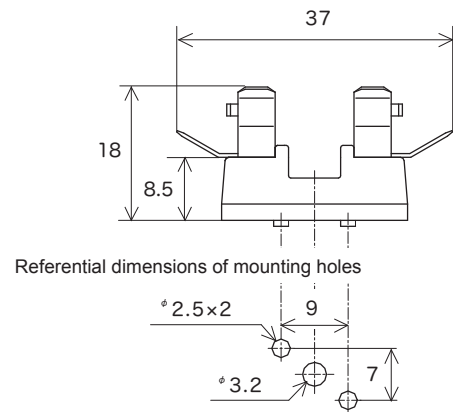


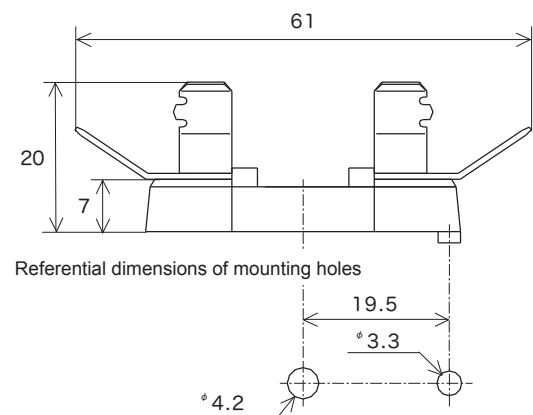
BM-SS-I-14

Fuse size: ϕ 5.2 mm \times \perp 20 mm
 Rating: AC 250 V 15 A
 Certification: UL Recognized
 Base material: Phenolic resin
 (UL94V-0)
 Surface treatment: Nickel plated



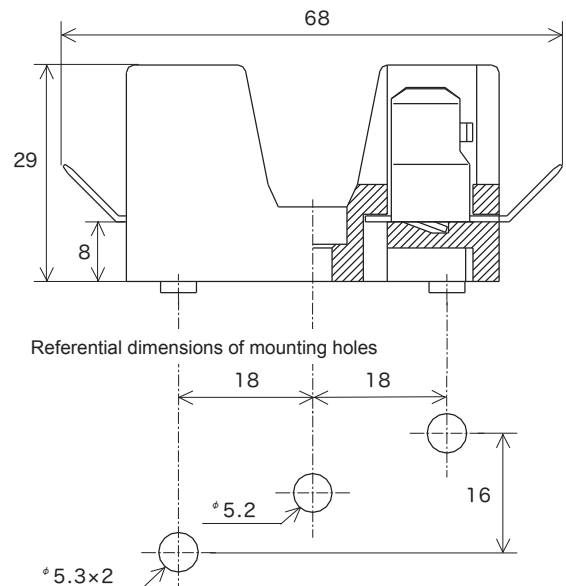
BM-LQ-I-13

Fuse size: ϕ 6.35 mm \times \perp 30 mm
 ϕ 6.35 mm \times \perp 31.8 mm
 Rating: AC 250 V 30 A
 Certification: UL Recognized
 Base material: Phenolic resin
 (UL94V-0)
 Surface treatment: Tin plated



BM-LQ-I-15

Fuse size: ϕ 10.3 mm \times \perp 38.1 mm
 Rating: AC 250 V 30 A
 Certification: UL Recognized
 Base material: Phenolic resin
 (UL94V-0)
 Surface treatment: Nickel plated



⚠ CAUTION

- The fuseholder ratings shown above represent the maximum ratings for fuses that can be used under normal circumstances. Rated currents are based on the assumption that a fuse inserted in a fuseholder will operate at less than or equal to 1.35 times the fuseholder's rating. For all other cases, please contact your SOC representative.
- When inserting a fuse into a fuseholder, please do not force the fuse into the holder or hit the fuse. Contact failure caused by damage to the fuse or deformation of the fuseholder's clips due to impact or forcing the fuse into the holder may significantly alter the fuse's electrical characteristics and lifetime, and may lead to accidents including nuisance operations.