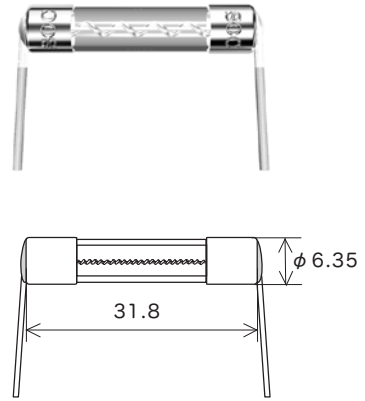
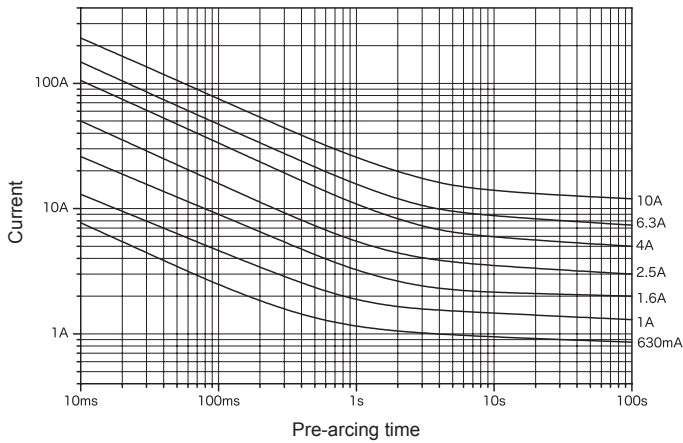


Representative pre-arcing time-current characteristics



Lead wire diameter ϕ 0.8 (100 mA–8 A) ϕ 1.0 (Over 8 A–15 A) Scale: 1/1 (mm)

Rated voltage	Certification	Rated current (I _N) *1	Rated breaking current	Temp. rise	Current carrying capacity	Overload operation
AC 125 V	UL, SFA	100 mA–8 A	10000 A	70 K or less at 1.1 I _N	1.1 I _N for 15 min or more after temperature stabilization occurs	Within 60 min at 1.35 I _N Within 2 min at 2.0 I _N
	RU, SFA	Over 8 A–15 A	500 A	200 K or less at 1.0 I _N	1.0 I _N until temperature stabilization occurs	
	PS E *2	100 mA–15 A		At 1.1 I _N , 140 K or less at the center, 60 K or less at the contact	1.1 I _N until constant temperature is obtained on each part	
DC 125 V	RU, SFA	Over 8 A–15 A	Resistive circuit	200 K or less at 1.0 I _N	1.0 I _N until temperature stabilization occurs	

*1: Customer-requested rated current values can be supplied from within the given range.

*2: Fuses with rated currents of less than 1 A are not considered electrical products per the Electrical Appliance and Material Safety Law.

*3: 100 mA–8 A Pb free
Over 8 A–15 A This product uses high melting temperature type solder containing 85% by weight or more lead. This type of solder is exempted from the RoHS Directive.