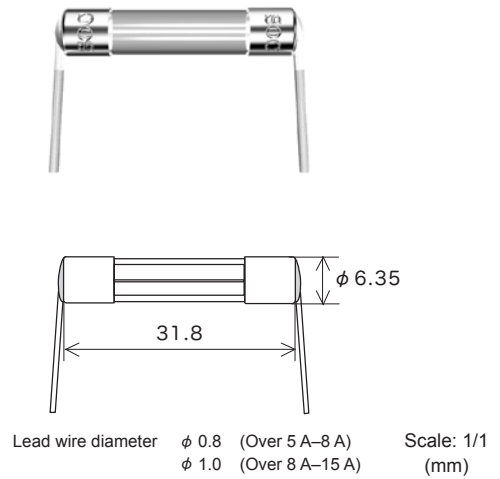
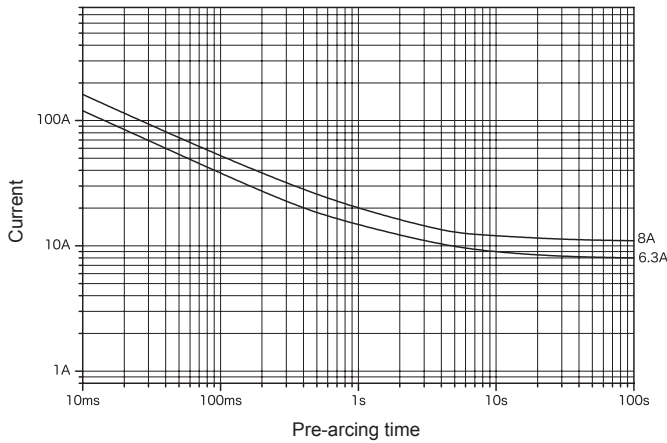


Representative pre-arcing time-current characteristics



Rated voltage	Certification	Rated current (I _N) *1	Rated breaking current	Temp. rise	Current carrying capacity	Overload operation
AC 250 V	UL, SA	Over 5 A-8 A	200 A	PF 0.7-0.8	70 K or less at 1.1 I _N	1.1 I _N for 15 min or more after temperature stabilization occurs
	PS E		100 A		At 1.1 I _N , 140 K or less at the center, 60 K or less at the contact	1.1 I _N until constant temperature is obtained on each part
AC 125 V	RU, SA	Over 8 A-15 A	10000 A		70 K or less at 1.0 I _N	1.0 I _N for 15 min or more after temperature stabilization occurs
	PS E		500 A		At 1.1 I _N , 140 K or less at the center, 60 K or less at the contact	1.1 I _N until constant temperature is obtained on each part

*1: Customer-requested rated current values can be supplied from within the given range.
 *2: Over 5 A-8 A Pb free
 Over 8 A-15 A This product uses high melting temperature type solder containing 85% by weight or more lead. This type of solder is exempted from the RoHS Directive.