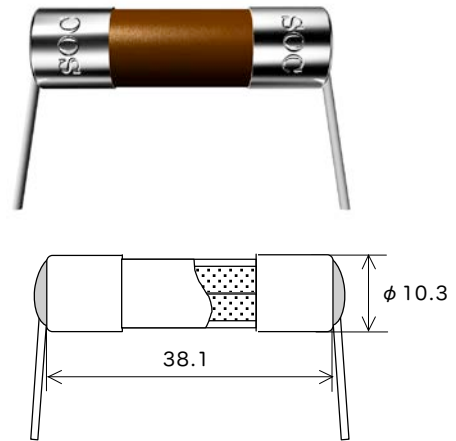
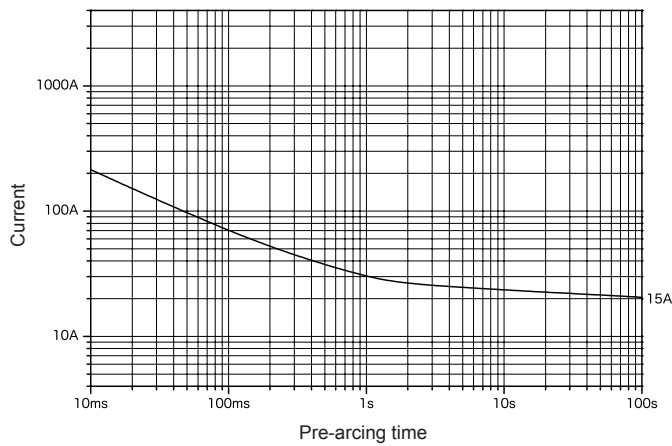


Pre-arcing time-current characteristics (for reference)



Lead wire diameter ϕ 1.2

Scale: 1/1 (mm)

Maximum working voltage	Certification	Rated current (I_N)	Maximum breaking current		Temp. rise	Current carrying capacity	Overload operation
DC 600 V	-	15 A	500 A	Resistive circuit	150 K or less at 1.0 I_N	1.0 I_N until temperature stabilization occurs	Within 2 min at 2.0 I_N

*1: This product uses high melting temperature type solder containing 85% by weight or more lead. This type of solder is exempted from the RoHS Directive.