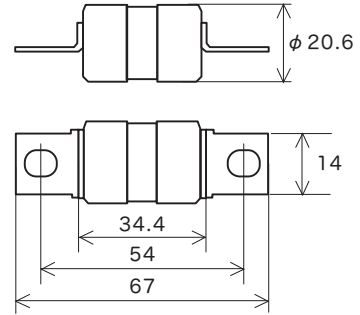
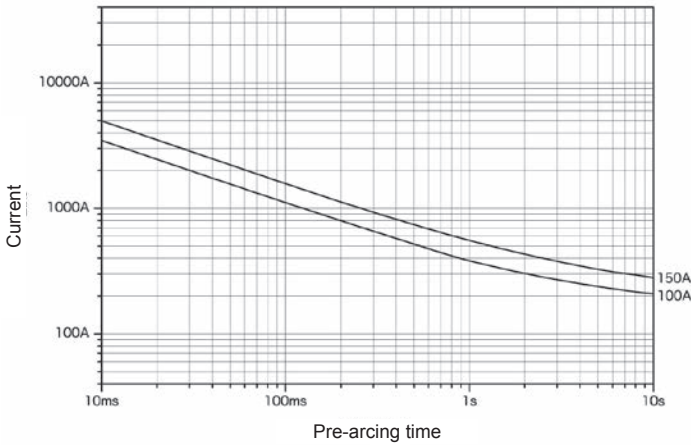


# DC500VBT2035

RoHS-compliant

Pb free

Representative pre-arcing time-current characteristics



Scale: 1/2 (mm)

Rated voltage	Certification	Rated current (I <sub>N</sub> ) *1	Rated breaking current		Temp. rise	Current carrying capacity	Overload operation
DC 500 V	-	60 A, 70 A 100 A, 125 A 150 A	2000 A	Resistive circuit	35 K or less at 0.5 I <sub>N</sub>	1.0 I <sub>N</sub> until temperature stabilization occurs	Within 1 s at 5.0 I <sub>N</sub>

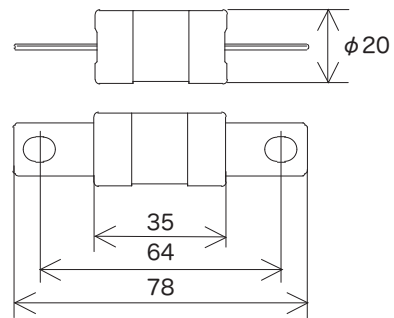
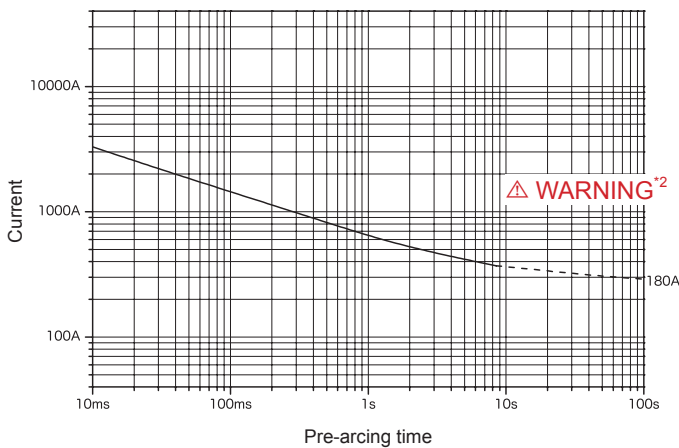
\*1: Please contact your local SOC sales representative for rated currents which are not listed.

# DC500VPT2035

RoHS-compliant

Pb free

Representative pre-arcing time-current characteristics



Scale: 1/2 (mm)

Rated voltage	Certification	Rated current (I <sub>N</sub> ) *1	Rated breaking current		Temp. rise	Current carrying capacity	Overload operation
DC 500 V	-	180 A	2000 A	Resistive circuit	50 K or less at 0.5 I <sub>N</sub>	4 h or more at 1.1 I <sub>N</sub>	*3

\*1: Please contact your local SOC sales representative for rated currents which are not listed.

\*2: If the current is less than 2.0 I<sub>N</sub> (represented by the dotted portion of the pre-arcing time-current characteristics), an arc current may continuously pass through the fuse, and it may therefore not be possible to break the current. Do not apply fusing conditions of currents less than 2.0 I<sub>N</sub>, as fires and other accidents may occur due to the inability to break the current.

\*3:

2.0 I <sub>N</sub>	3.0 I <sub>N</sub>	5.0 I <sub>N</sub>
1 s–300 s	0.2 s–30 s	0.05 s–1 s