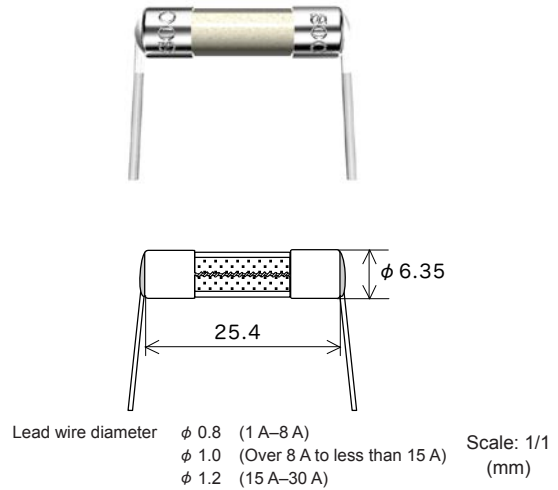
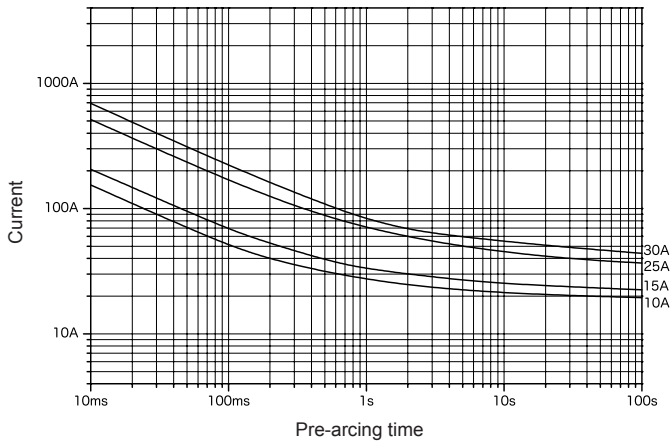


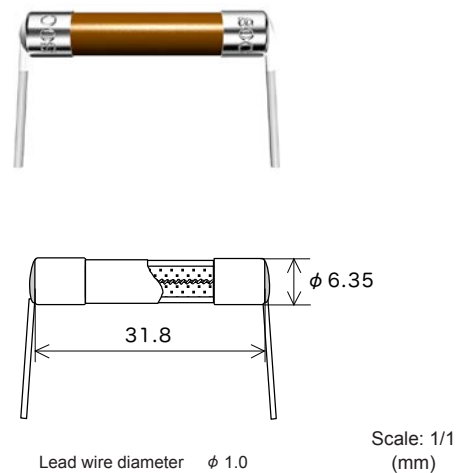
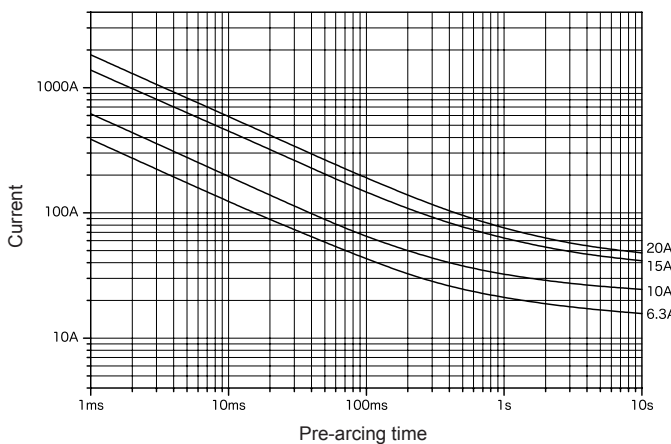
Representative pre-arcing time-current characteristics



Maximum working voltage	Certification	Rated current (I _N) *1	Maximum breaking current		Temp. rise	Current carrying capacity	Overload operation
DC 500 V	-	1 A-30 A	1000 A	Resistive circuit	75 K or less at 0.5 I _N	1.0 I _N until temperature stabilization occurs	Within 2 min at 2.0 I _N

*1: Customer-requested rated current values can be supplied from within the given range.
 *2: This product uses high melting temperature type solder containing 85% by weight or more lead. This type of solder is exempted from the RoHS Directive.

Representative pre-arcing time-current characteristics



Maximum working voltage	Certification	Rated current (I _N) *1	Maximum breaking current		Temp. rise	Endurance Test	Overload operation
AC 400 V DC 400 V	-	1 A-20 A	500 A	Resistive circuit	75 K or less at 1.0 I _N	*3	Within 30 min at 2.1 I _N

*1: Customer-requested rated current values can be supplied from within the given range.
 *2: This product uses high melting temperature type solder containing 85% by weight or more lead. This type of solder is exempted from the RoHS Directive.
 *3: After 100 cycles of 1.2 I_N 1 h on / 15 min off, 1.5 I_N is passed through the fuse for 1 h.