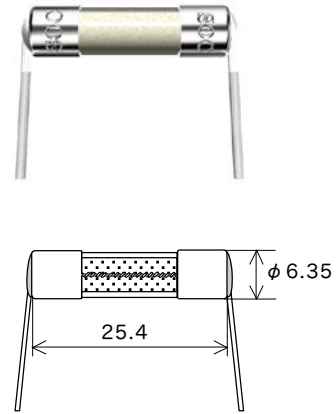
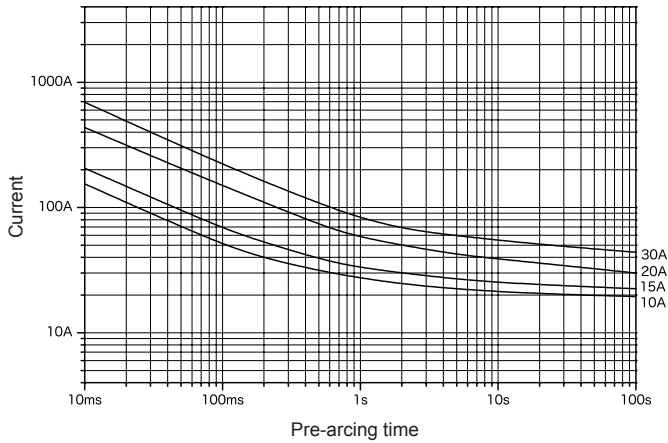


SHV27

Inrush-withstand RoHS-compliant*2

Representative pre-arcing time-current characteristics



Lead wire diameter ϕ 1.2 Scale: 1/1 (mm)

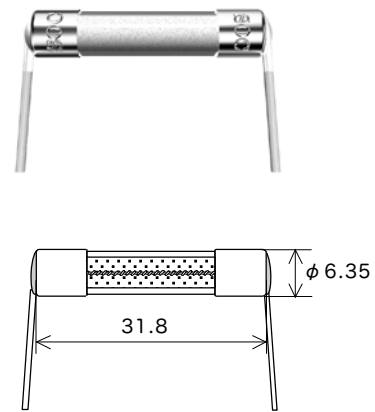
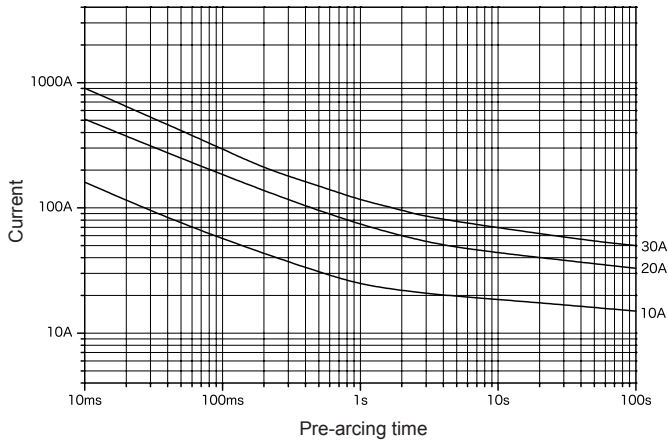
Rated voltage	Certification	Rated current (I_N) *1	Rated breaking current		Temp. rise	Current carrying capacity	Overload operation
DC 450 V		6.3 A	400 A	Resistive circuit	120 K or less at 1.0 I_N	1.0 I_N until temperature stabilization occurs	Within 30 min at 2.1 I_N
DC 420 V		8 A–30 A					

*1: Customer-requested rated current values can be supplied from within the given range.
 *2: This product uses high melting temperature type solder containing 85% by weight or more lead. This type of solder is exempted from the RoHS Directive.

SHV33

Inrush-withstand RoHS-compliant*2

Representative pre-arcing time-current characteristics



Lead wire diameter ϕ 1.0 (10 A) Scale: 1/1 (mm)
 ϕ 1.2 (Over 10 A–30 A)

Rated voltage	Certification	Rated current (I_N) *1	Rated breaking current		Temp. rise	Current carrying capacity	Overload operation
AC 500 V		10 A–30 A	500 A	Resistive circuit	150 K or less at 1.0 I_N	1.0 I_N until temperature stabilization occurs	Within 2 min at 2.0 I_N

*1: Customer-requested rated current values can be supplied from within the given range.
 *2: This product uses high melting temperature type solder containing 85% by weight or more lead. This type of solder is exempted from the RoHS Directive.