

# P25RF

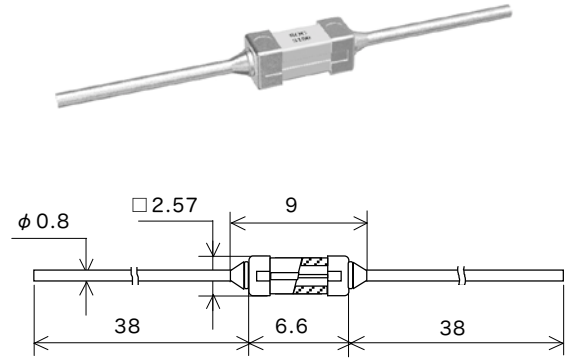
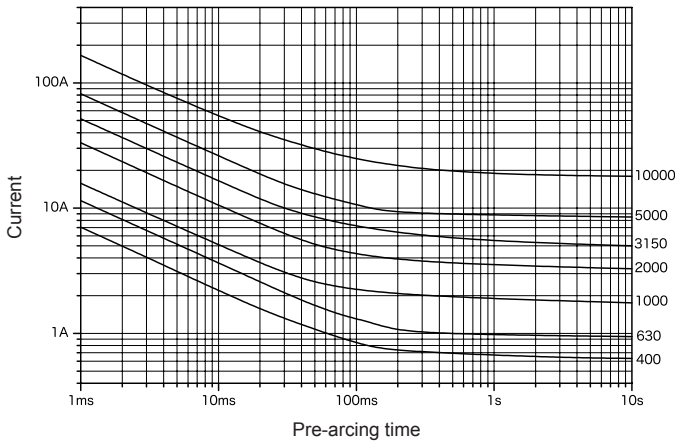
Protector

Quick-acting

RoHS-compliant

Pb free

Representative pre-arcing time-current characteristics



Scale: 2/1 (mm)

Maximum working voltage	Certification	Rated current ( $I_N$ ) <sup>*1</sup>	Maximum breaking current		Temp. rise	Current carrying capacity	Overload operation
AC 90 V DC 90 V	-	100 mA–10 A	50 A	Resistive circuit	75 K or less at 1.0 $I_N$	1.0 $I_N$ until temperature stabilization occurs	Within 60 s at 2.0 $I_N$

\*1: Customer-requested rated current values can be supplied from within the given range.

Note: The rated current (in amperes) multiplied by 1,000 is indicated on the product and its packaging (e.g., "630" for the 0.63 A version). The product name is the type name followed by this value.

# P25RT

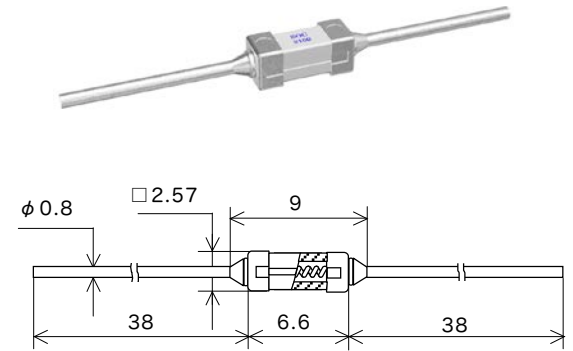
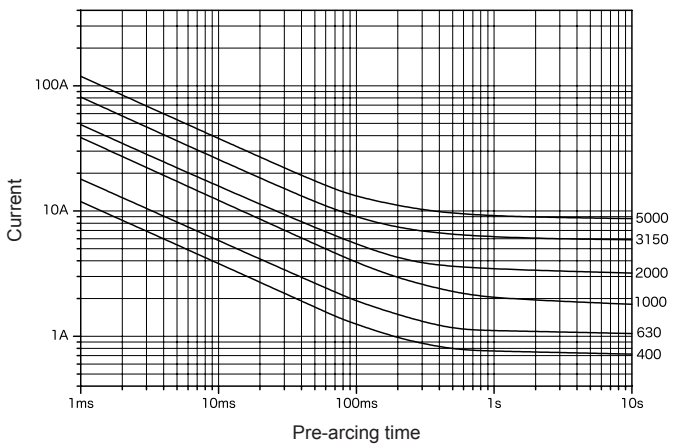
Protector

Inrush-withstand

RoHS-compliant

Pb free

Representative pre-arcing time-current characteristics



Scale: 2/1 (mm)

Maximum working voltage	Certification	Rated current ( $I_N$ ) <sup>*1</sup>	Maximum breaking current		Temp. rise	Current carrying capacity	Overload operation
AC 90 V DC 60 V	-	100 mA–6.3 A	50 A	Resistive circuit	75 K or less at 1.0 $I_N$	1.0 $I_N$ until temperature stabilization occurs	Within 60 s at 2.0 $I_N$

\*1: Customer-requested rated current values can be supplied from within the given range.

Note: The rated current (in amperes) multiplied by 1,000 is indicated on the product and its packaging (e.g., "630" for the 0.63 A version). The product name is the type name followed by this value.