

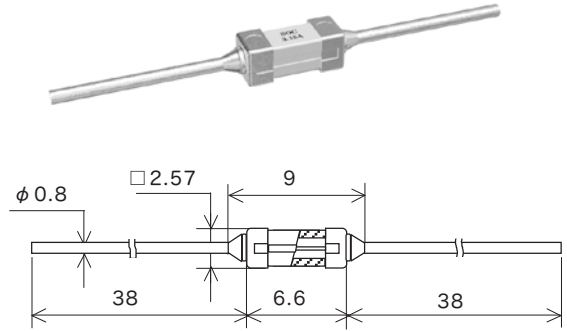
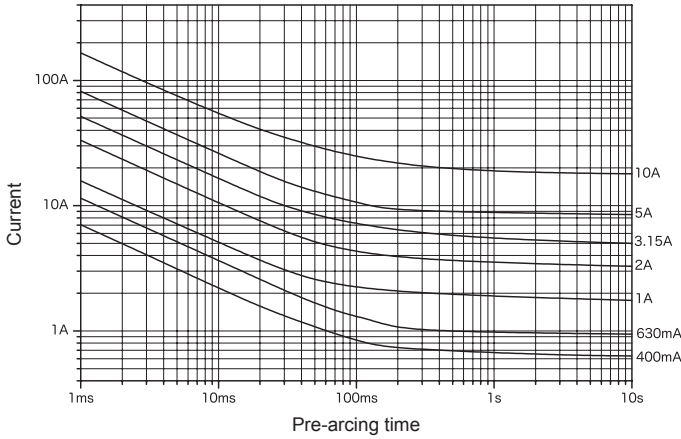
25RF

Quick-acting

RoHS-compliant

Pb free

Representative pre-arcing time-current characteristics



Scale: 2/1 (mm)

Rated voltage	Certification	Rated current (I_N)	Rated breaking current	Temp. rise	Current carrying capacity	Overload operation	Endurance test
AC 125 V	S	200 mA, 250 mA 315 mA, 400 mA 500 mA, 630 mA 800 mA, 1 A 1.25 A, 1.6 A 2 A, 2.5 A, 3.15 A 4 A, 5 A	50 A	PF over 0.95	4 h or more at 1.0 I_N	*4	After passing 0.8 I_N for 100 h, 1.0 I_N can be passed for 1 h or more
DC 125 V							
AC 125 V	PS E *2	100 mA–5 A *1				Within 5 s at 2.0 I_N	
AC 250 V	c UL US	100 mA–10 A *1	100 A	Resistive circuit	75 K or less at 1.0 I_N	1.0 I_N until temperature stabilization occurs	Within 60 s at 2.0 I_N
DC 125 V			300 A				

*1: Customer-requested rated current values can be supplied from within the given range.
 *2: Fuses with rated currents of less than 1 A are not considered electrical products per the Electrical Appliance and Material Safety Law.
 *3: After passing the rated current through the fuse for 15 min, the current is increased by 0.1 I_N every 15 min until the fuse operates. While the current is being increased, the temperature rise at each part of the fuse shall not exceed 135 K.

*4:

2.0 I_N	2.75 I_N	4.0 I_N	10 I_N
Within 5 s	Within 0.3 s	Within 0.03 s	Within 0.004 s

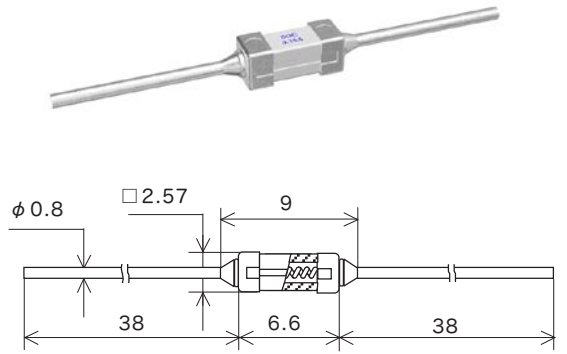
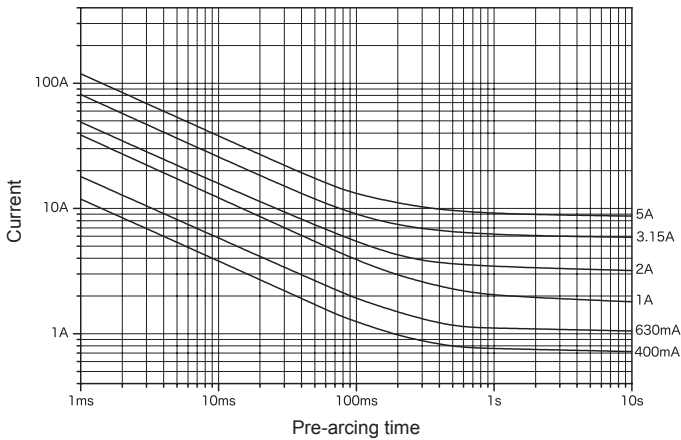
25RT

Inrush-withstand

RoHS-compliant

Pb free

Representative pre-arcing time-current characteristics



Scale: 2/1 (mm)

Rated voltage	Certification	Rated current (I_N) *1	Rated breaking current	Temp. rise	Current carrying capacity	Overload operation
AC 125 V	c UL US	100 mA–5 A	100 A	Resistive circuit	75 K or less at 1.0 I_N	1.0 I_N until temperature stabilization occurs
DC 125 V			300 A			

*1: Customer-requested rated current values can be supplied from within the given range.