

Fuse clips

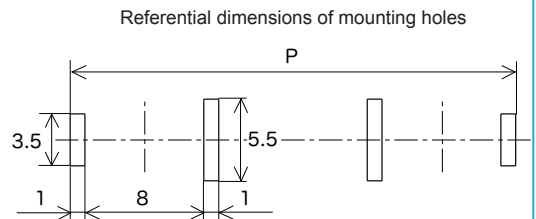
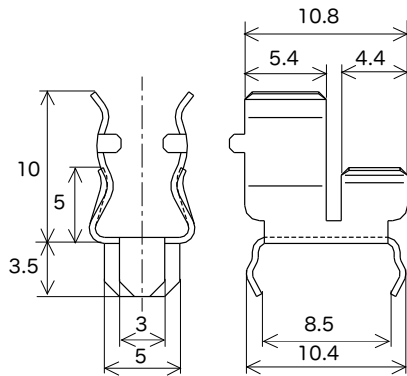
RoHS-compliant

Pb free

Unit: mm

H-0048-2

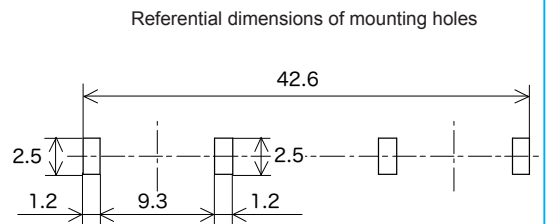
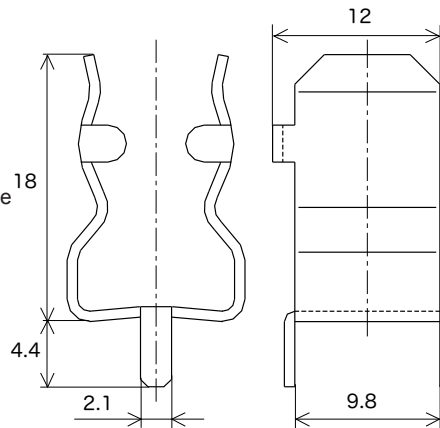
Fuse size: ϕ 5.2 mm
 ϕ 6.35 mm
 Rating: AC / DC 15 A
 Thickness: 0.4 mm
 Material: C5191
 phosphor bronze
 Surface treatment: Tin plated



P=30.6 for ϕ 5.2 x L20 mm fuses
 P=29.8 for ϕ 6.35 x L30 mm fuses
 P=31.6 for ϕ 6.35 x L31.8 mm fuses

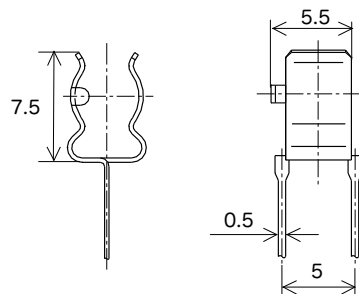
H-0084-2

Fuse size: ϕ 10.3 mm
 Rating: AC / DC 30 A
 Thickness: 0.7 mm
 Material: C5191
 phosphor bronze
 Surface treatment: Tin plated

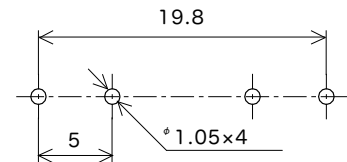


H-0060

Fuse size: ϕ 5.2 mm
 Rating: AC / DC 10 A
 Thickness: 0.3 mm
 Material: Copper alloy
 Surface treatment: Tin plated



Referential dimensions of mounting holes



Tape configuration

