

# Fuse clips

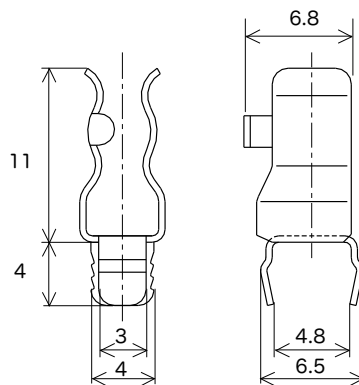
RoHS-compliant

Pb free

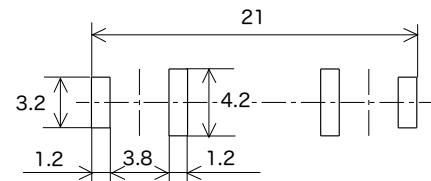
Unit: mm

## H-0016-2

Fuse size:  $\phi$  5.2 mm  
 Rating: AC / DC 10 A  
 Thickness: 0.4 mm  
 Material: C5191  
 phosphor bronze  
 Surface treatment: Tin plated

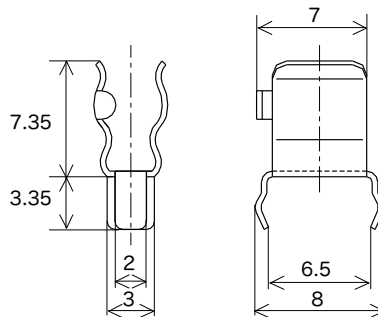


Referential dimensions of mounting holes

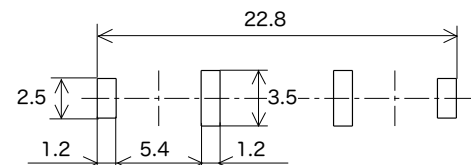


## H-0032-2

Fuse size:  $\phi$  5.2 mm  
 Rating: AC / DC 10 A  
 Thickness: 0.35 mm  
 Material: C5191  
 phosphor bronze  
 Surface treatment: Tin plated

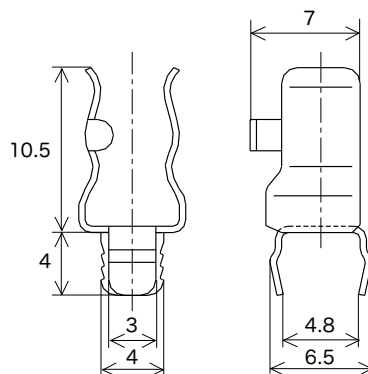


Referential dimensions of mounting holes

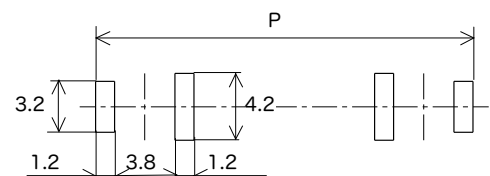


## H-0014-2

Fuse size:  $\phi$  6.35 mm  
 Rating: AC / DC 15 A  
 Thickness: 0.4 mm  
 Material: C5191  
 phosphor bronze  
 Surface treatment: Tin plated



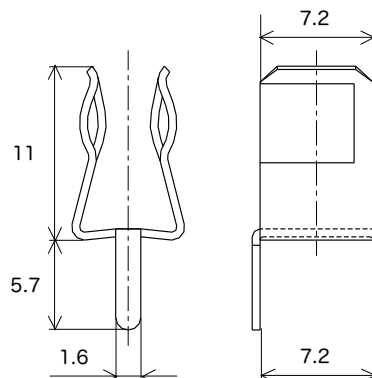
Referential dimensions of mounting holes



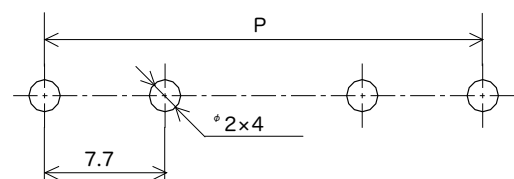
P=31 for  $\phi$  6.35 × L30 mm fuses  
 P=33 for  $\phi$  6.35 × L31.8 mm fuses

## H-0017-2

Fuse size:  $\phi$  6.35 mm  
 Rating: AC / DC 15 A  
 Thickness: 0.5 mm  
 Material: C5191  
 phosphor bronze  
 Surface treatment: Tin plated



Referential dimensions of mounting holes



P=34.7 for  $\phi$  6.35 × L30 mm fuses  
 P=36.7 for  $\phi$  6.35 × L31.8 mm fuses