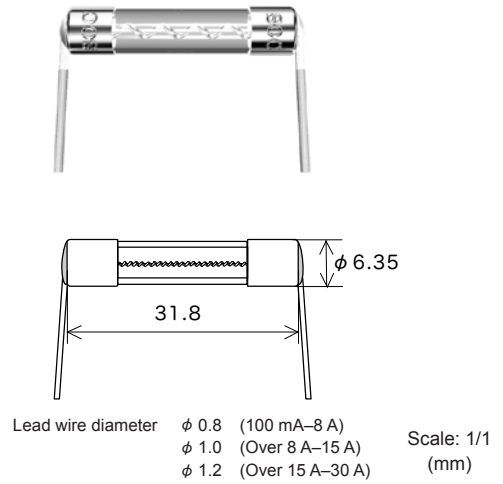
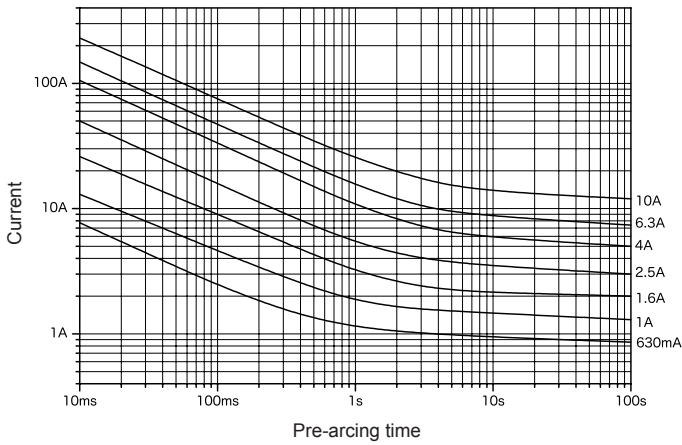


Representative pre-arcing time-current characteristics



Rated voltage	Certification	Rated current (I _N) *1	Rated breaking current		Temp. rise	Current carrying capacity	Overload operation
AC 125 V	UL, SP	100 mA–8 A	10000 A	PF 0.7–0.8	70 K or less at 1.1 I _N	1.1 I _N for 15 min or more after temperature stabilization occurs	Within 60 min at 1.35 I _N Within 2 min at 2.0 I _N
DC 125 V	RU, SP	Over 8 A–30 A	500 A		200 K or less at 1.0 I _N	1.0 I _N until temperature stabilization occurs	
				Resistive circuit			

*1: Customer-requested rated current values can be supplied from within the given range.

*2: 100 mA–8 A Pb free

Over 8 A–30 A This product uses high melting temperature type solder containing 85% by weight or more lead. This type of solder is exempted from the RoHS Directive.