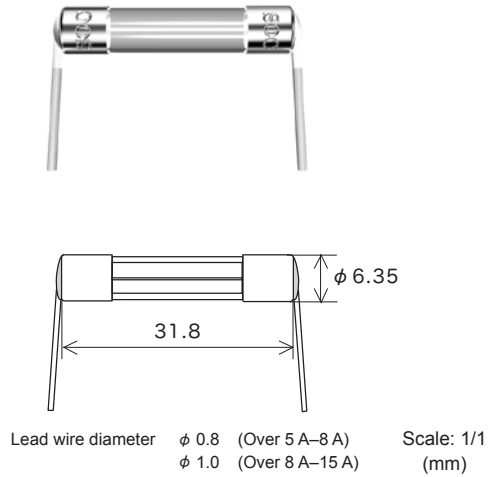
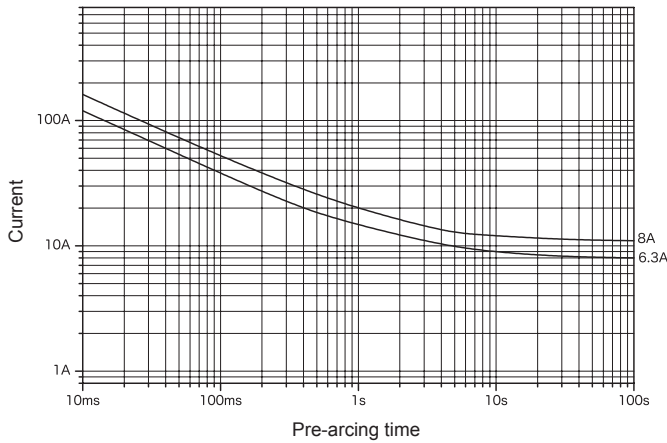


Representative pre-arcing time-current characteristics



Rated voltage	Certification	Rated current (I _N) *1	Rated breaking current	Temp. rise	Current carrying capacity	Overload operation
AC 250 V	UL, SA	Over 5 A-8 A	200 A	70 K or less at 1.1 I _N	1.1 I _N for 15 min or more after temperature stabilization occurs	Within 60 min at 1.35 I _N Within 2 min at 2.0 I _N
	PS E		100 A		At 1.1 I _N , 140 K or less at the center, 60 K or less at the contact	
AC 125 V	RU, SA	Over 8 A-15 A	10000 A	70 K or less at 1.0 I _N	1.0 I _N for 15 min or more after temperature stabilization occurs	
	PS E		500 A		At 1.1 I _N , 140 K or less at the center, 60 K or less at the contact	

*1: Customer-requested rated current values can be supplied from within the given range.

*2: Over 5 A-8 A Pb free
Over 8 A-15 A This product uses high melting temperature type solder containing 85% by weight or more lead. This type of solder is exempted from the RoHS Directive.